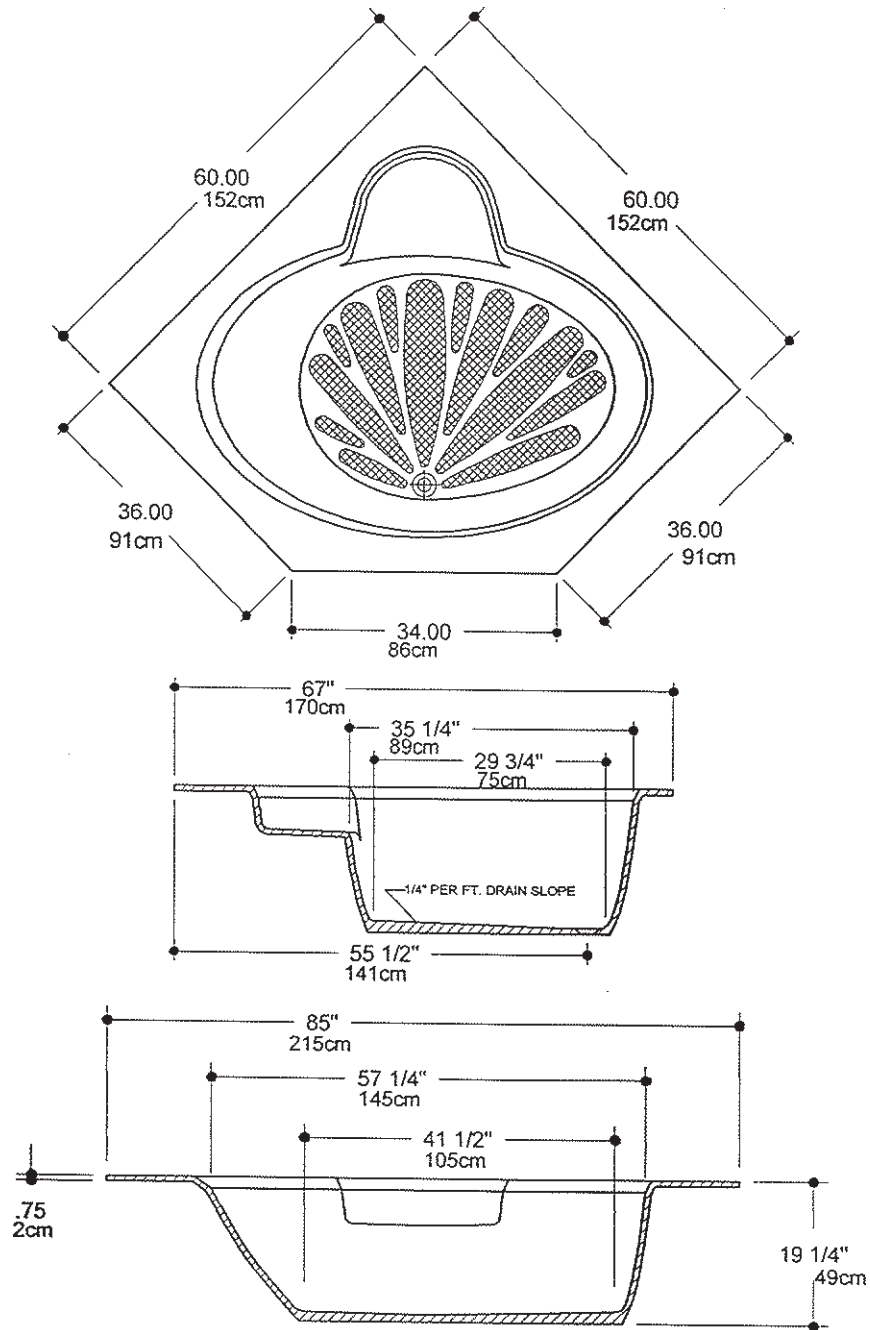


SPECIFICATION DRAWING

TUB



MK 50