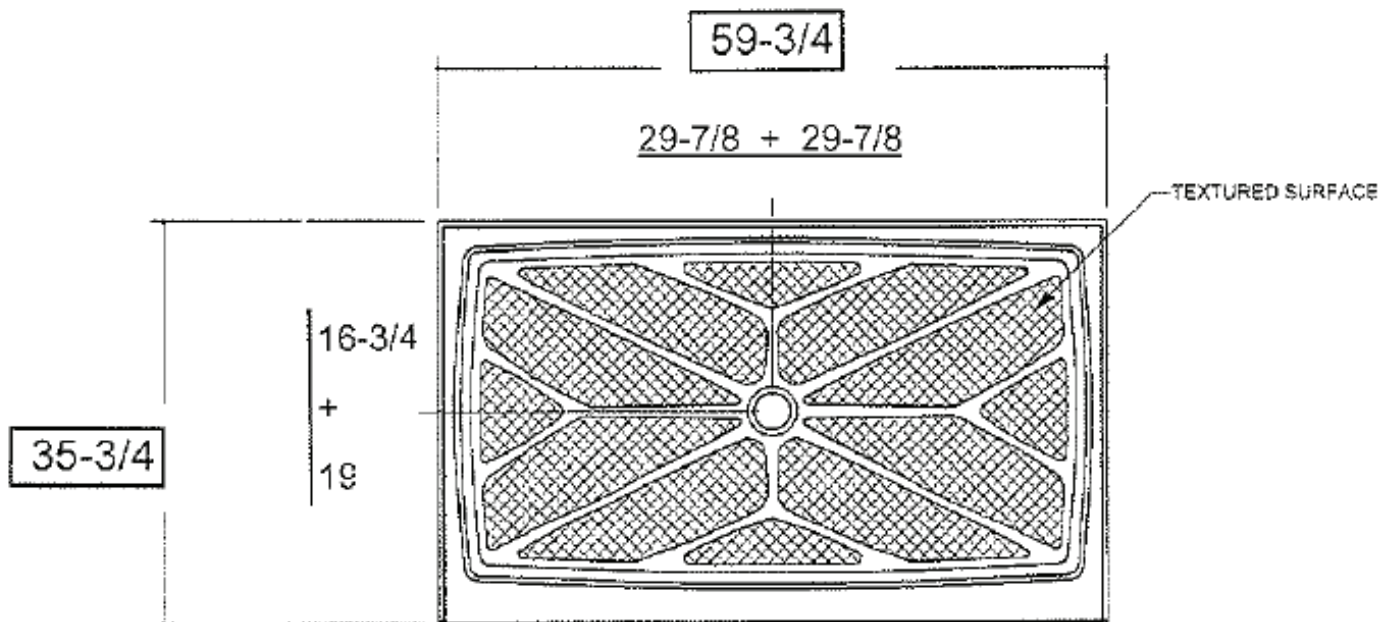


## SPECIFICATION DRAWING

### LOW PROFILE WALK-IN SHOWER PAN

Threshold height: 1-1/2" / Threshold width 2-1/4"  
Tile flange (3 wall sides): 1/2" tall x 1/4" thick / Overall height including flange: 2"  
Drain Diameter: 3-1/2"



WALK-IN 60" X 36"  
60" FRONT  
1053-10