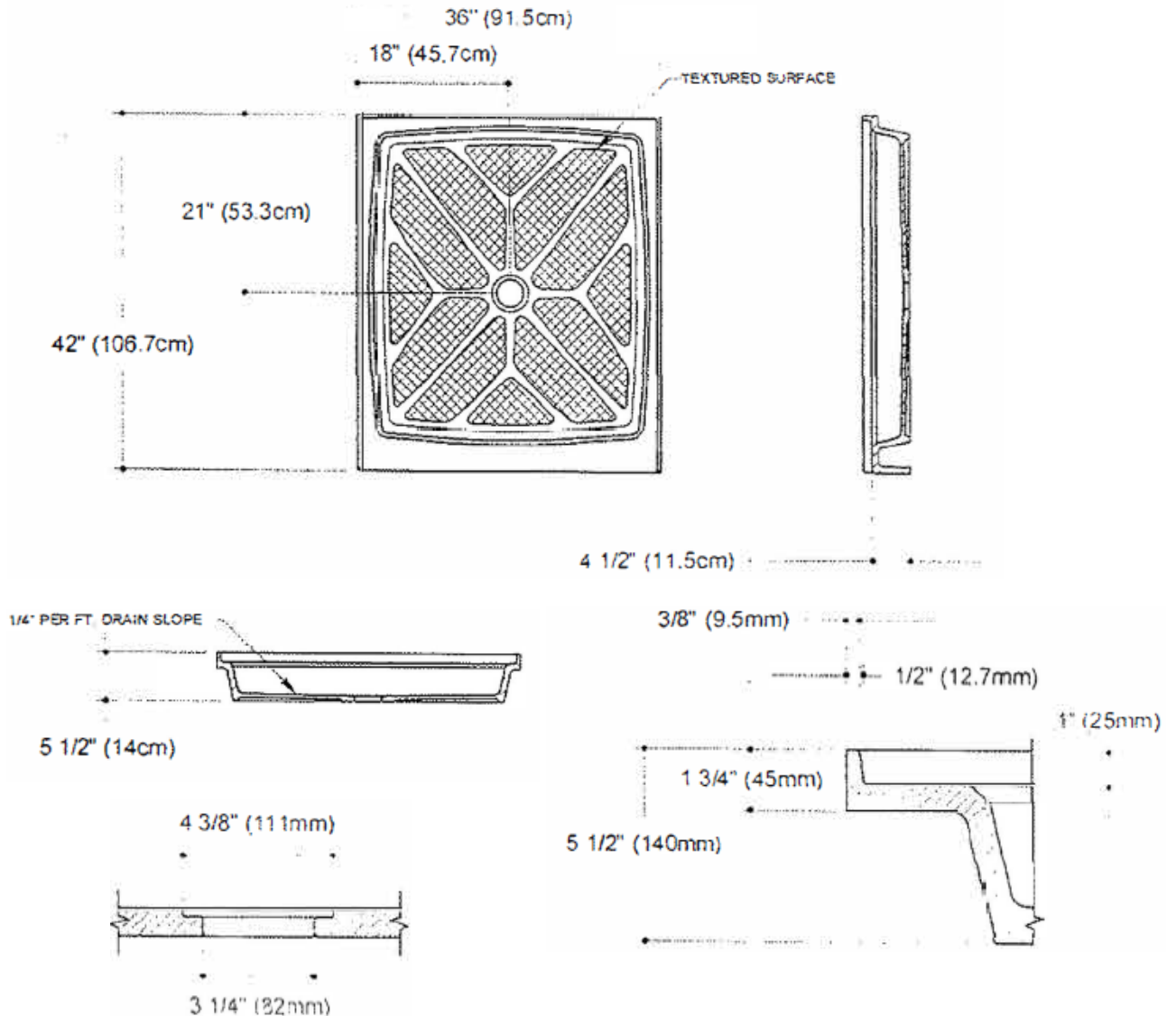


SPECIFICATION DRAWING

SHOWER PAN



42" X 36" - CENTER DRAIN
36" THRESHOLD
1051-03