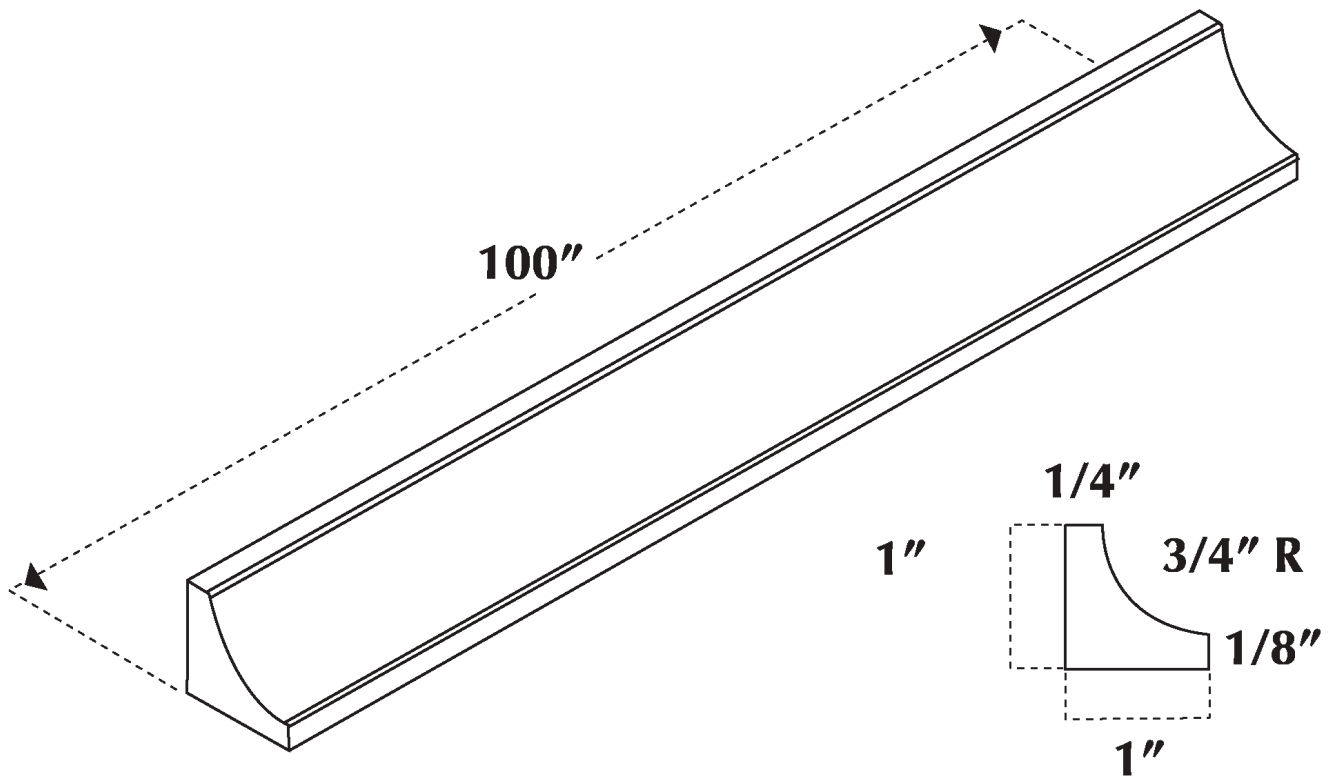


**SPECIFICATION DRAWING**

Molding Inside Corner



**INSIDE CORNER**