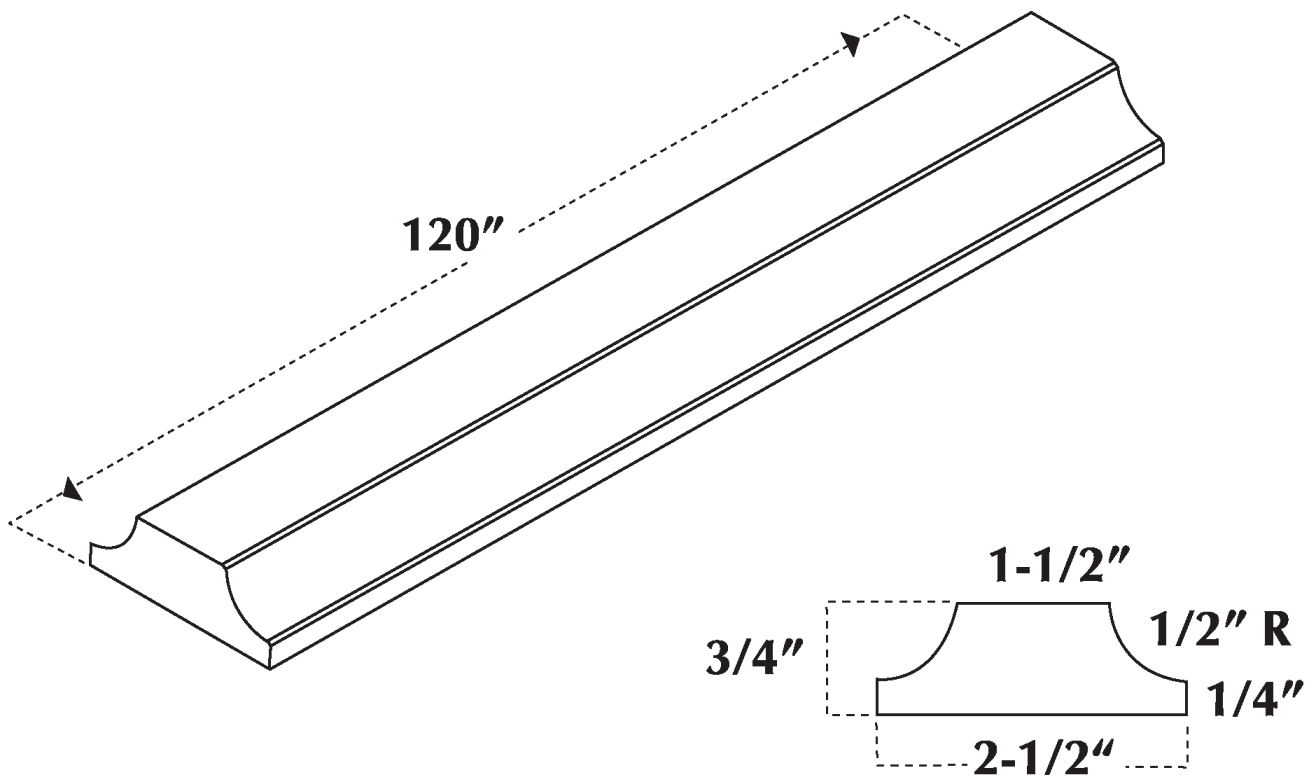


SPECIFICATION DRAWING

Molding Batten Strip



BATTEN STRIP