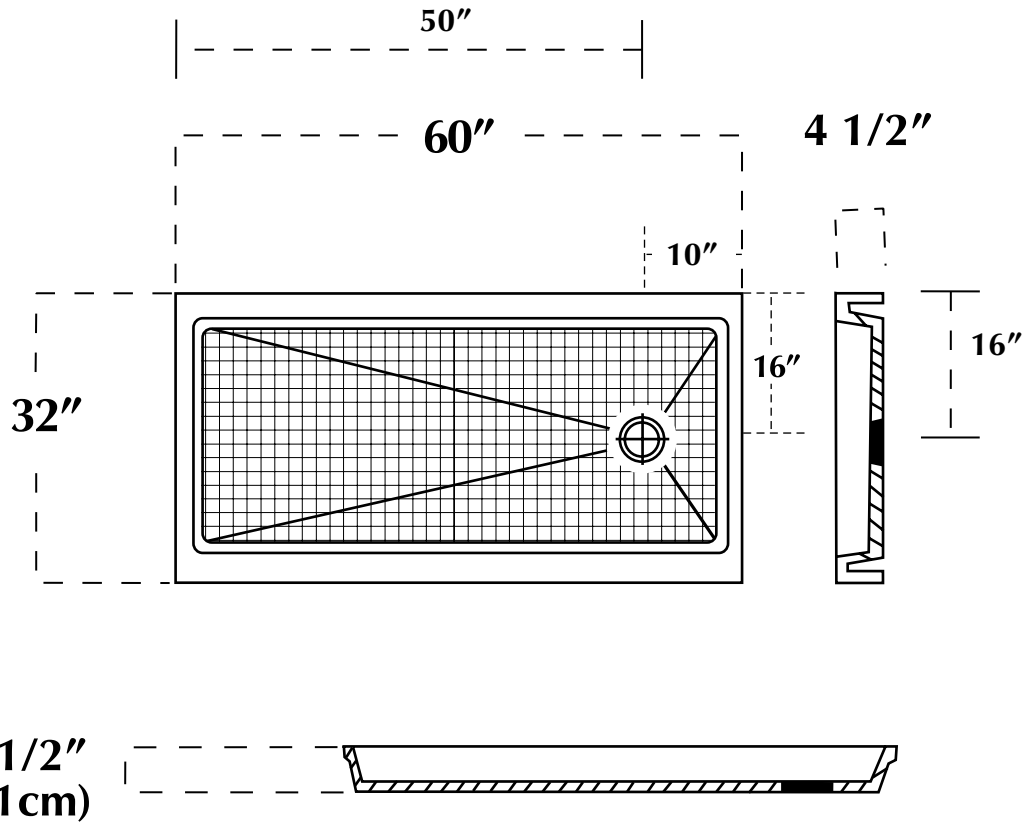


**SPECIFICATION DRAWING**

Shower Pan **REPLACEMENT 1050-06 DBL.THRESHOLD**



**REPLACEMENT PAN**  
**1050-06 Dbl Threshold**