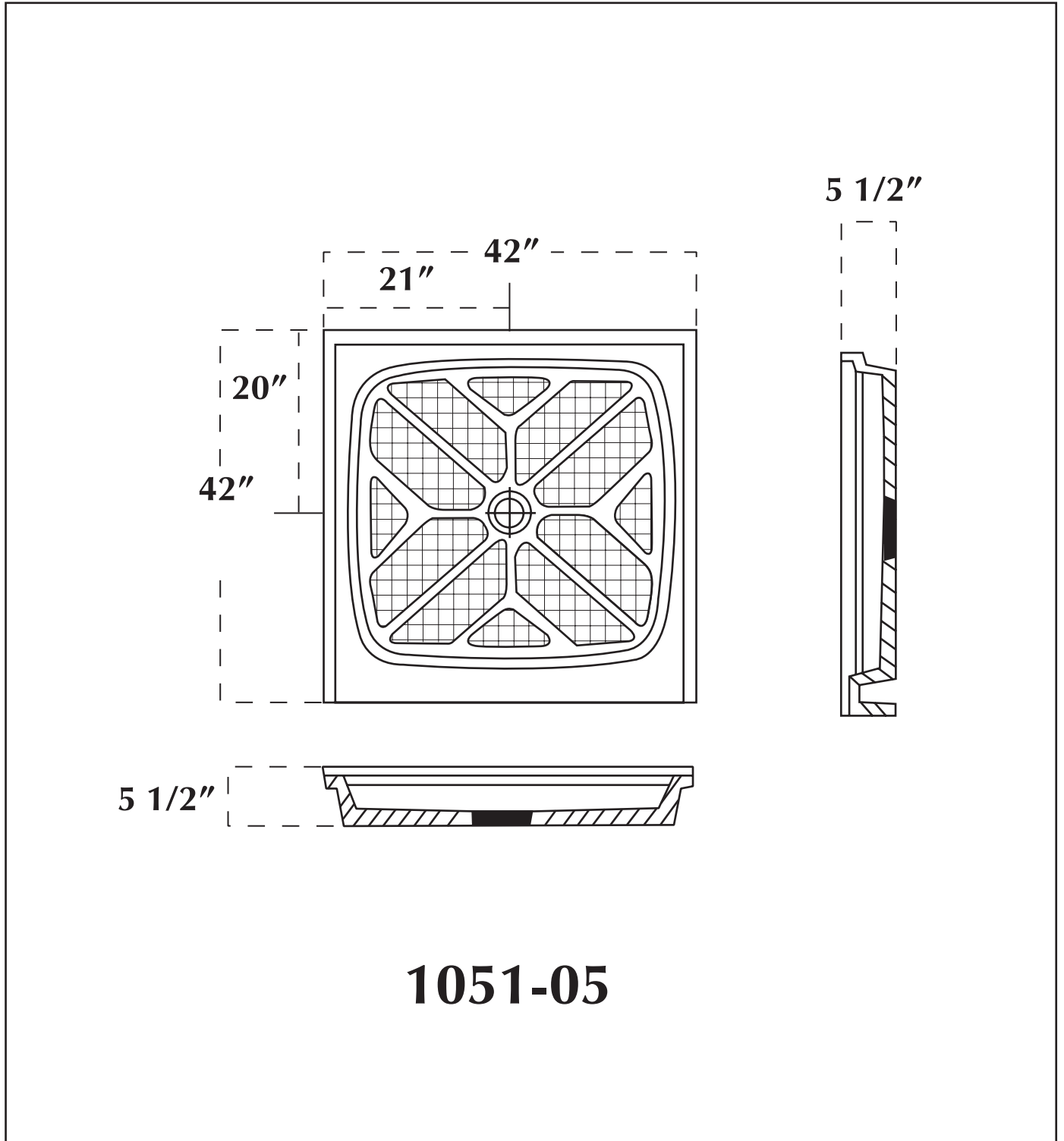


Shower Pan **1051-05**



1051-05